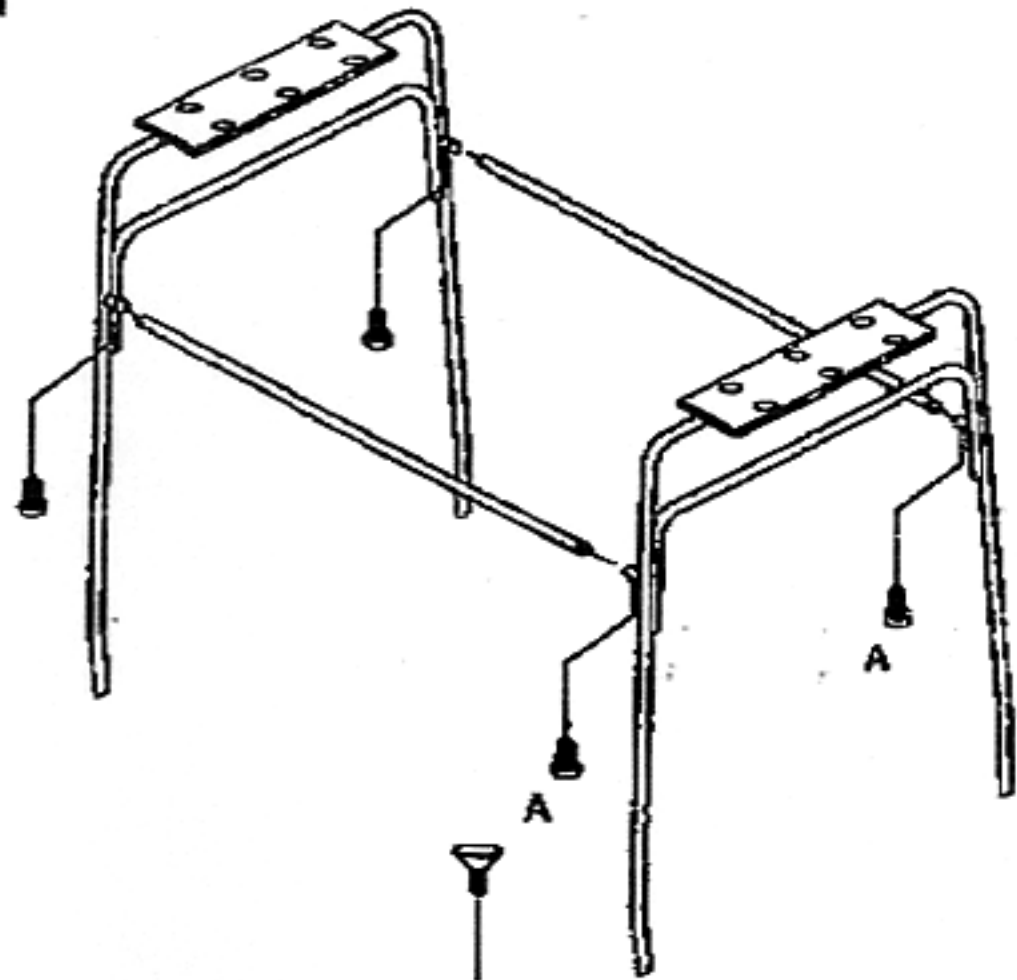
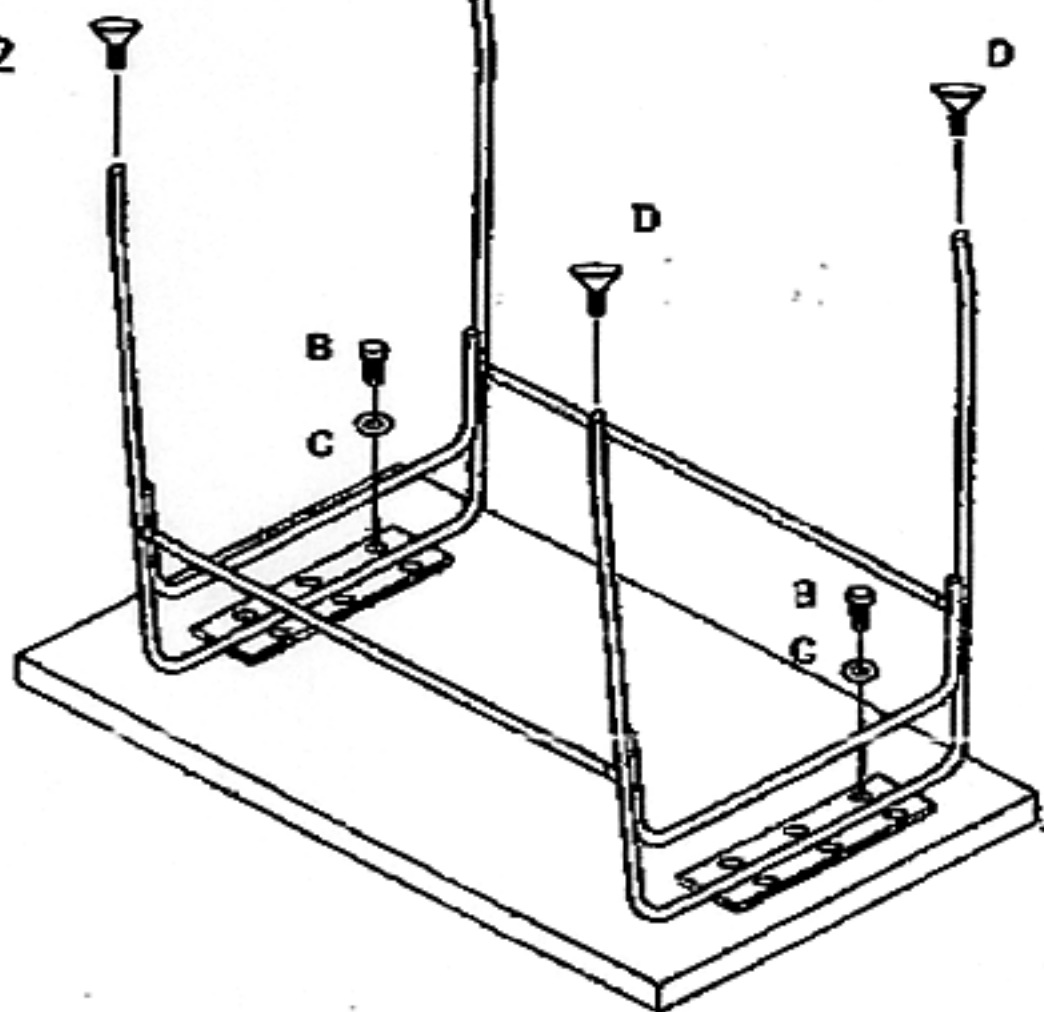


**** Do not tighten screws & bolts until the entire item is completely assembled**

STEP-1



STEP-2



ACCESSORY PACK

A  4 PCS


1/4" x 13mm

B  12 PCS

1/4" x 19mm

C  12 PCS

Washer 160

D  4 PCS

Foot

E  1 PCS

WRENCH 4mm

F

G

H

COMPLETE HARDWARE

1

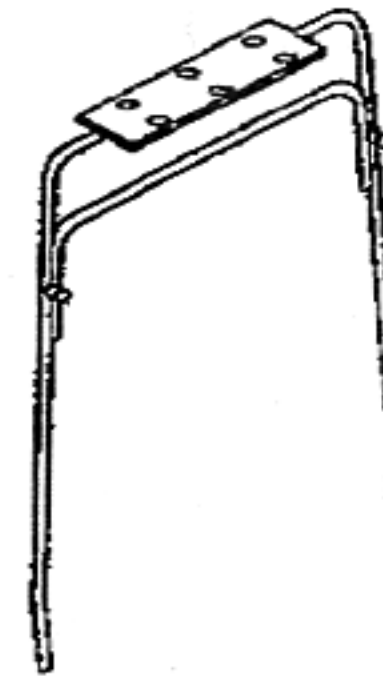
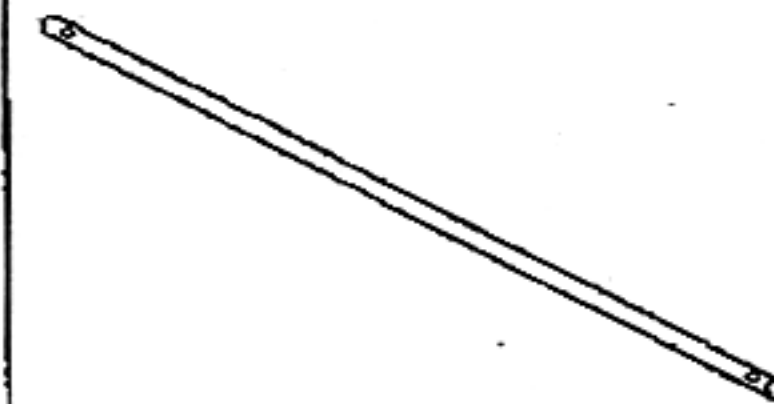


Table Anchor 2 PCS

(Color : Black)

2

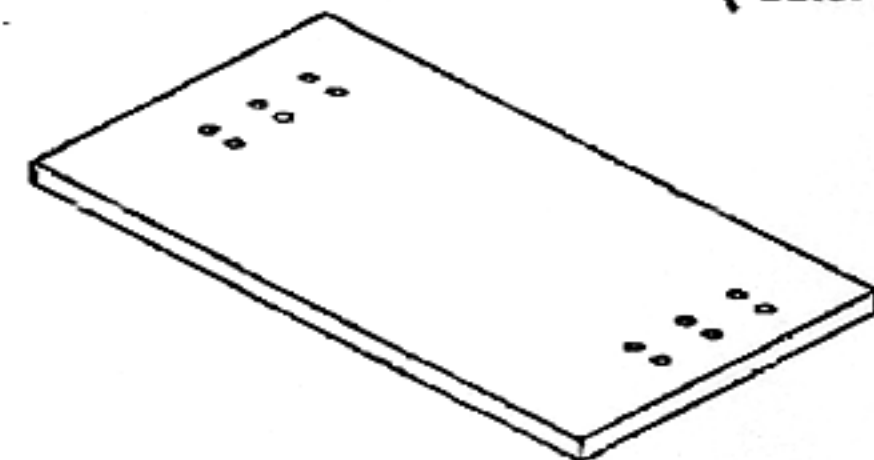


Crossarm 2 PCS

160 x 1.0 x 785mm

(Color : Black)

3



Top Table 1 PCS

(Color : Wood)